
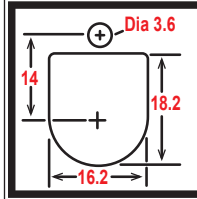
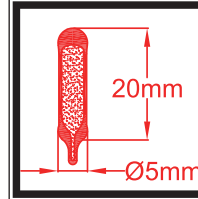

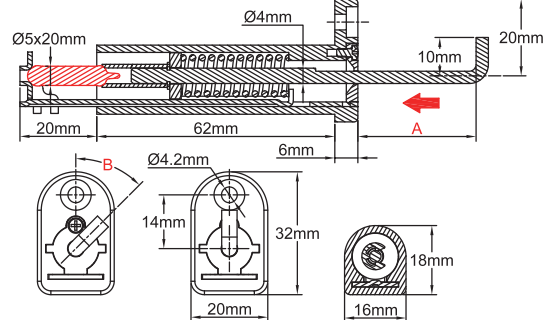




Because of permanent improvement of our products, drawings, descriptions, features used on these data sheets are for guidance only and can be modified without prior advice

Material	Tripping force	Mounting hole dimensions (mm)	Thermal bulb dimensions	Types
304 Stainless steel				51A
				

These mechanical thermal actuators are intended to close the fire dampers used on the ventilation ducts. Their **large operating force unlocks the spring actuating the damper**. Requiring **no power supply**, these devices are particularly simple and reliable. They are mandatory for all fire dampers to meet the NF-S 61.937 standard. **Since thermal bulbs are not subject to creep, their periodic replacement is not necessary.**

Straight length (A) of the actuating rod before release: 30mm or 25mm

Stroke of the actuating rod when triggering: ≥ 20mm

Traction force of the actuating rod: ≥ 15DaN (at the beginning of the stroke).

Orientation of the actuating rod bending: Aligned with the axis of the fixing screw. Other possible orientations: every 15° angular (MOQ apply)

Communication with the external environment: The mechanisms are equipped with a low leakage wall, separating the air of the ventilation duct from that of the external environment.

Installation: Through the wall of the ventilation duct, with M4 screws or self-tapping screws of similar dimensions. See the metal sheet cutting drawing above.

Body material: PA66 glass fiber reinforced, withstands temperature 200°C.

Mechanism material: Stainless steel Aisi 304.

ROHS compliance: These mechanisms are ROHS compliant.

Identification: Model and date of manufacture are stamped on each mechanism. When equipped with a thermal bulb, it has its own color identification (see the data sheets of the thermal bulbs).

Salt spray resistance: According to ISO 9227-2012, subjected to a mist formed of 20% by weight of sodium chloride in distilled water, at 35°C for 5 days (120h), the mechanisms retain their aptitude for the function.

Main references

Temperature	Length A	Reference	Length A	Reference
Without thermal bulb	25mm	51A2006215PE0000	30mm	51A2006215PF0000
57°C (135°F)	25mm	51A20062152E0570	30mm	51A20062152F0570
68°C (155°F)	25mm	51A20062152E0680	30mm	51A20062152F0680
79°C (174°F)	25mm	51A20062152E0790	30mm	51A20062152F0790
93°C (199°F)	25mm	51A20062152E0930	30mm	51A20062152F0930
141°C (286°F)	25mm	51A20062152E1410	30mm	51A20062152F1410